



MEGAHERTZ TIMES



November 2025

W3AI

PO Box 336, Perkasio, PA 18944

R F Hill Amateur Radio Club 2025

President: Cary Binder, NI2Q
Vice President: Jim Soete, WA3YLQ
Secretary: Vacant
Treasurer: Jim Reed, KC3LXV
News Editor: KS3Z, Charles Schmell
ks3z@comcast.net

CLUB INFORMATION

Mailing address:
PO Box 336, Perkasio, PA 18944
Club Repeaters: 145.31 MHz; input
144.71 MHz PL 131.8 (2 meters)
444.75 MHz, input 449.75 MHz PL 103.5
(70 cm)

Meetings: The club normally meets at
7:30 PM on the last Thursday of the
Month

Web page: <http://www.rfhillarc.club>

Email: rfhillarc@yahoo.com

The MHz Times is the official publication
of the R F Hill Amateur Radio Club, Inc.
Articles for submission may be made to
the editor. Material herein may not be
reprinted without the express permis-
sion of the RF Hill ARC. The RF Hill ARC
nor it's officers warrant any items
listed for sale or trade. The editor
reserves the right not to print any
material which may be offensive or
illegal.

All articles and pictures are
copyrighted material. © 2025

DEADLINE for article submission is 6
days before the meeting! Please submit
in Open Office (.odt) or MS Word (.docx)
format.

Simple PDFs MAY be acceptable.

Send to ks3z@comcast.net



**The November Club meeting is on
Thursday, November 20th
at 7:30 pm
Peter Becker Community
1st Floor Small Dining room
Maplewood Estates, Harleysville, PA 19040**

November Meeting Program

Annual MEMBER Auction

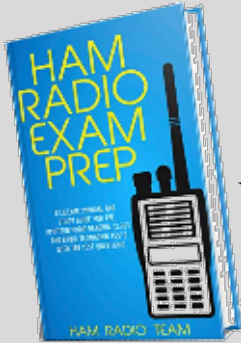
The November meeting will be on Thursday,
November 20th, at 7:30 PM at PBC. The meeting will
be held in the small dining room at the end of the first-
floor hallway. Bring your goodies and junk box stuff to
sell. Items should be easily displayed on the tabletops.
No LARGE gear!

Fill out a slip for each item. Club commission is by
member donation. Club donations (items) are gladly
accepted. Please bring small bills. Sales are between
sellers and buyers. The Club is not responsible for the
representation of the sale items .

Always an amusing event! Hope you can make it!

73, Jim, WA3YLQ

VE TESTING



VE testing for Technician, General and Extra Class licenses is held at 6:00 PM at the Indian Valley Public Library in Telford:

100 E Church Ave.
Telford, PA 18969



Club Nets



SEPPTN traffic nets are on Sundays & Wednesdays at 8:00 PM local time at 145.310 MHz (-600). These nets are for anyone who would like to learn how to handle traffic as well as an on the air meeting place for members and future members.

RF Hill ARC Ten Meter AM Net: 29.005 MHz on Sunday evening immediately following the SEPPTN traffic net.

RF Hill CW Squad Operates on 28.370.600 CW at approx. 7 pm Tuesday stopping before the NPARC net at 8 pm. This is a non formal CW - slow speed - net for beginners and ranges in speed from 5-15 wpm.

Scheduled VE Exam Sessions

2026 Dates:

3rd Monday of odd months

Pre-registration recommended; so candidates know what to bring to session. Direct questions to Kevin KW3P at kw3p@arrl.net or by cell phone at 215-378-6978.

SEPPATN Net Control Stations

11/23 KB3DEN	12/24 KW3P
11/26 KB3DEN	(Canceled)
11/30 WA3YLQ	12/28 WA3YLQ
12/03 KW3P	12/31 KW3P
12/07 WA3YLQ	(Canceled)
12/10 KW3P	01/04 WA3YLQ
12/14 KB3DEN	01/07 KW3P
12/17 KB3DEN	01/11 KB3DEN
12/21 WA3YLQ	01/14 KB3DEN

Contact Jim KB3DEN with any questions or conflicts. If at the last minute, the assigned net control station doesn't show-up, any net control station on frequency should run the net. Thanks to everyone for your continued support.
Jim - KB3DEN KB3DEN@aol.com

AREA NET LISTINGS

SEPPTN Southeastern PA Practice & Traffic Net	Su/W	8 PM	145.31-
EPAEPTN - EPA Emergency Phone/Traffic Net	Daily	5 PM	3.918 +/-
Pennsylvania Traffic Net (CW)	Daily	7,10 PM	3.585
Third Region Net	Daily	4 PM	7.243 (3.917 -alt)
Eastern Area Net (EAN)	Daily	2:30 PM	7.243
Bucks County ARES	W	9 PM	147.090+
Montgomery County ARES	Th	7 PM	146.835- (pl 88.5)
NPARC 10 meter net	Tu	8 PM	28.370 USB



Find us on Facebook

Join the conversation.

Follow us today!

<http://facebook.com/rfhillarc>

RF Hill ARC October Meeting Minutes

Date 10/30/25.

Welcome/Call to Order/Pledge to the Flag – WA3YLQ

Roll Call 18 ARO's present, including 17 members and 1 guest.

Officer Reports:

President absent

Vice President WA3YLQ Reported: 2026 Club Dues are Due. Pay at a meeting with the form provided, or mail in using the form in the Mhz Times.

The November Program will be our Member's Only Auction. To be held in the first-floor dining room at PBC. Bring items easily displayed on a tabletop.

Officer Search continues. Elections are in January. Talk to a Board member if you have an interest in serving.

Secretary The September Club Meeting Minutes were published in the Mhz Times. Being no questions nor corrections to the minutes, a motion to accept as published was made by KC3ZPY; seconded by KB3DEN. Motion Carried.

KC3LXV did a first reading of three new member applications. These were submitted at the Hamfest.

Applicants: Raymond Patton, N3JQX, Quakertown; Vincent Valentino, N3DOR, Pottstown; Tom Paparella, KB3HOV, Harleysville. Second readings will be performed at the November meeting.

Note: As of the October meeting, the Club has fifteen paid members and four Life Members.

Treasurer KC3LXV reported that all accounts are up to date. Hamfest bills have been paid. Jim said that Hamfest was a success and that an estimated 195 admission tickets were sold. Being no questions or discussion, a motion to accept the Report as presented was made by N3QQT, seconded by WA3NFV. Motion carried.

Committee Reports

Repeater none

VE KW3P reported that four applicants appeared at the last VE Session. Two passed Technician, two passed General. Next VE Session, Nov 17th.

Mhz Times none

SEPPATN Report published in Mhz Times. Average participation is nine check-ins per session.

Feds (Sun PM)

(Other)

Old Business NE3I brought up the question re: extending Club's Liability Insurance coverage to members operating in the Field. The Board will prepare a document that explains Board questions and concerns in this matter.

New Business WA3YLQ presented the maintenance concerns for the Club trailer. The roof is leaking and there is some wooden structure that needs repair. The dealer has given us a written estimate for repairs at \$1,100.00. Upon his inspection of the trailer, the cost could be higher. This represents a future challenge for the Club.

Adjournment Being no further business, a motion from the floor was made to adjourn. Motion seconded. Meeting Adjourned.

Program: Limerick Generating Station 2023 Drill, presented by Griff, NE3I. This was a most interesting presentation well received by the group. Thanks Griff!

Respectfully Submitted:

Jim Soete, WA3YLQ, Recorder

RF Hill SEPPATN Report

RF HILL SEPPTN Report October 2025

QNI = 90

QTC = 2

In 9 Sessions

That's an average of 10 Check-in's per session!

Thanks!

73's

Jim – KB3DEN



RF Hill VE Session

As of (early) press time, the session on Nov. 17th was scheduled, but had no pre-registrants.

Next session: January 19, 2026



RF Hill ARC Future 2025 Club Programs

December – Holiday Show and Tell by Jim, WA3YLQ

RF Hill Badges Available

RF Hill has name badges available for members. Charles, KS3Z, is the producer of these coveted items.

If you would like one, post a note to Charles on the Reflector or see him at a Club meeting.

Badges usually contain Call, First Name and City/Town.

Note that we will **not** mail these. Please plan to pick yours up at a Club Meeting!



The funeral home accidentally locked the keys in the hearse graveside for my mom today
I'm genuinely grateful to the local PD for not having a legitimate emergency and taking the time to jimmy the lock on the hearse. It only took an extra 10 minutes and waiting on a locksmith could've been 2 hrs. While sitcom worthy, it was only a mild annoyance thanks to local cops. Apparently it's never happened to them before, and I'm willing to bet they get an extra set of keys for the office moving forward. It's just a reminder that even during death, life still happens!

Signals Newsletter – ARRL EPA Section

The link below contains instructions to subscribe to postings from the ARRL EPA distribution system including "Signals" the bi-monthly newsletter.

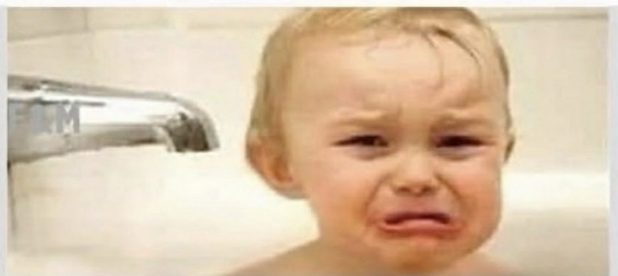
<https://epa-arrrl.org/signals-newsletter/>

73, Griff NE3I

Hamfest 2.0, October 2025



UP AT 5AM TO GO TO WORK

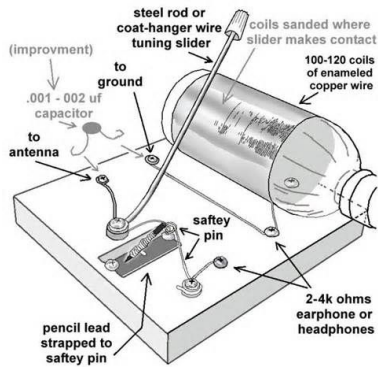


UP AT 5AM GOINTO HAMFEST



Hamfest PA ✨

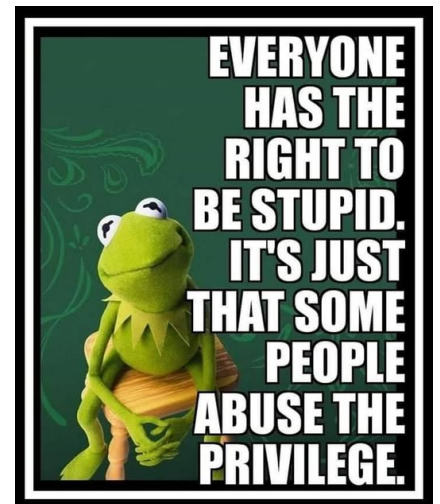
EZ-Pix from Lamar, K3UCI



WHEN A GENERAL IS TRANSMITTING IN THE EXTRA PORTION OF THE BAND.



A CLOCK FOR RETIRED PEOPLE!



2026 Membership Campaign

Please see the Dues Renewal Form in this issue. Bring this form to a meeting or mail to RF Hill ARC PO Box 336, Perkasio, PA 18944

Your dues payment is expected no later than the January meeting. Please fill out this form and return it with your payment at a Club meeting or by mail: RF Hill ARC PO Box 336 Perkasio, PA 18944. The 2026 dues rates are **\$25.00** per year for regular membership, and **\$12.50** for Retired members and students.

No dues required for Life Members.

Name _____ Call Sign _____

CIRCLE DUES PAID: \$25.00 \$12.50 Life Member

CHECK ONE: _____ No Changes to my info. (do not complete further)

_____ See Changes below to my info.

***** ONLY COMPLETE THIS PART IF YOU WISH TO INDICATE CHANGES TO YOUR PERSONAL INFO.*****

E-Mail _____ Phone # _____

License Class _____ ARRL Member YES No

ARES/RACES Member ? YES NO

ALL READ QUESTION BELOW

My Contact info may be shared with MEMBERS YES NO

Note: Your Call Book/ULS address will be considered your address of record.

2025 RF Hill Member Auction Slip

Seller Name/Call _____

Item _____ **Model** _____

Minimum Bid You Will Accept _____

Item Description _____

Club Commission by Seller Donation. Is this a Club Donation? Y / N